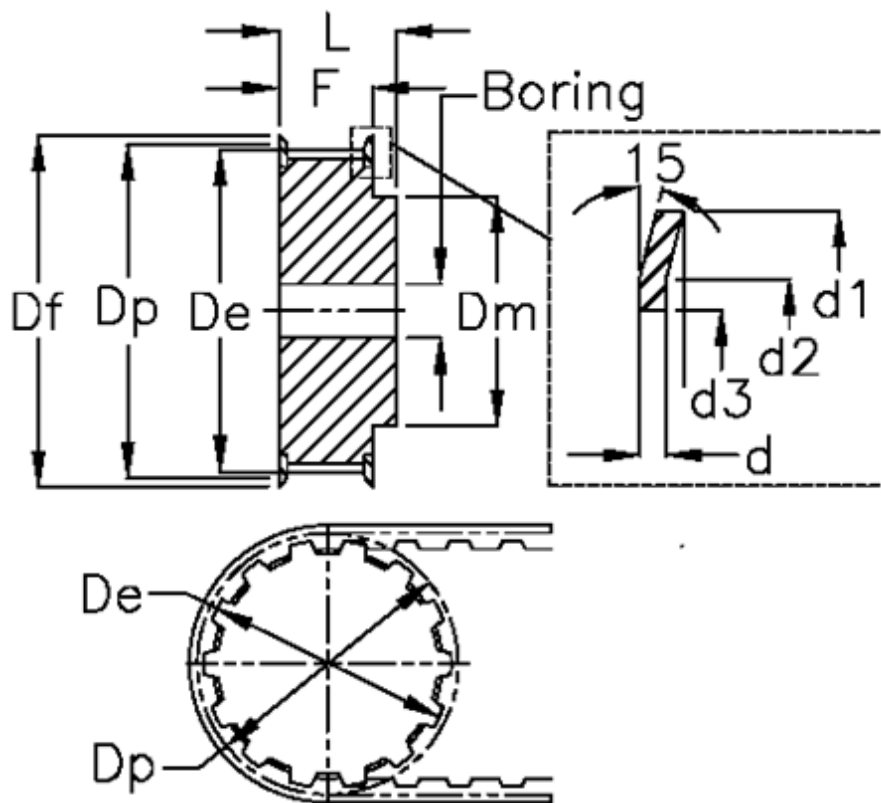


Article number: 604142018009

Description: Timing belt pulley with hub  
HTD 18 5M 9

## Measures



Bore = 6	$D_p$	= 28.65
$d = 1$	$F$	= 14.5
$d_1 = 32$	Flange type	= F10
$d_2 = 27.5$	$L$	= 20
$d_3 = 23$	Tooth number	= 18
$D_e = 27.51$	Type	= 5M
$D_f = 32$	Weight	= 0.07
$D_m = 20$	Width	= 09